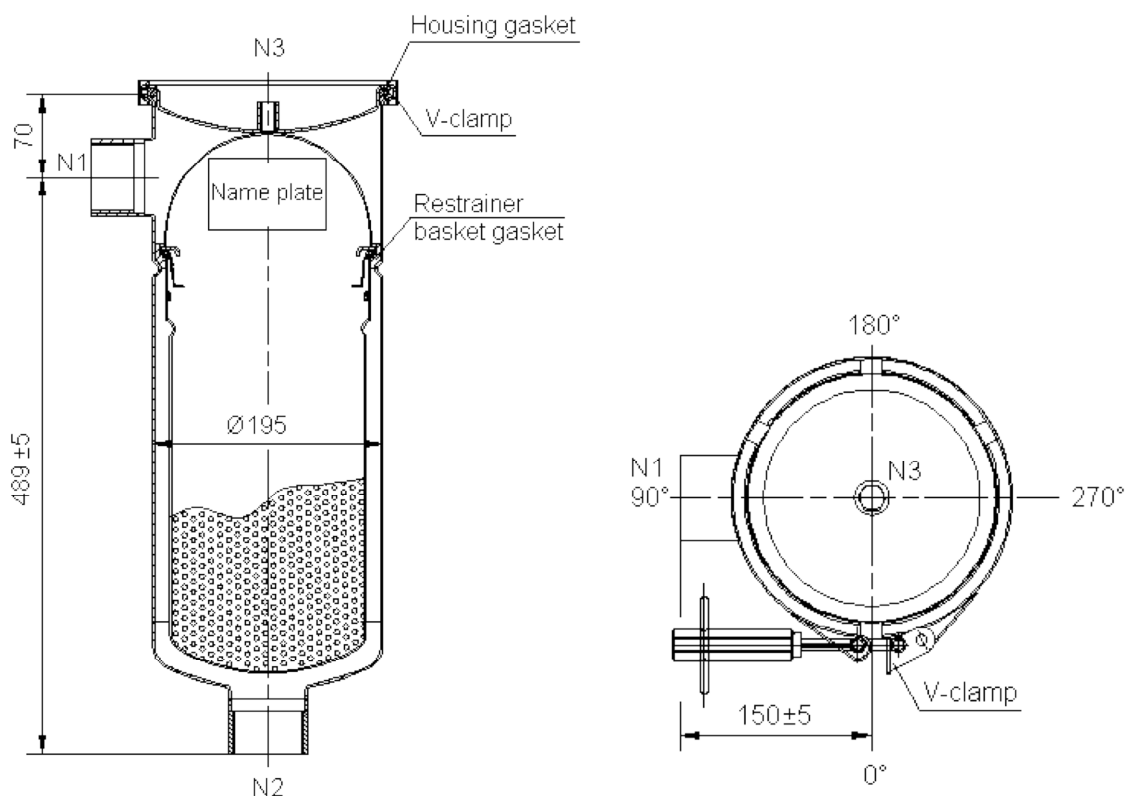


Data sheet

Bag filter EL-1-1-S-6-DN50-M



Spezifikation

Technical data

Max. flow
Filter area
No. of restrainer baskets
Filter housing volume
Filter housing weight
Installation height
Installation space
PED 97/23/EC classification

EL-1-1-S-6-DN50-M

20 m³/h (dep. on filter element / fluid)
0,25 m²
1
ca. 15,5 Liter
ca. 7,5 kg
ca. 102,5 cm
ca. 50 x 50 cm
not applicable (Design according to works standard)



Material of construction

Housing	Stainless steel1.4571
Restrainer basket	Stainless steel1.4571
Closure (V-Clamp)	Stainless steel1.4301
Gasket	NBR
Restrainer basket gasket	FPM

Design data

Max. allowable pressure	max. 6 bar
Max. allowable temperature	120 °C

Housing connections

N1/N2 (inlet/outlet)	G2" DIN 2986 / DIN ISO 228-1
N3 (lid hole)	G¼" DIN 2986 / DIN ISO 228-1 (with plug)

Packing

Dimensions (L x W x H)	76 x 36 x 30 cm
------------------------	-----------------

Spare parts

Restrainer basket	DK-1-S
Bag fixing ring	BR-1-S
NBR lid gasket	DI-DD-EL-1-NBR
FPM Restrainer basket gasket	DI-DU-EL-1-FPM
V-Clamp	VS-EL-1-S

Accessories (optional)

Ring-Filter bags	Size 1 - z. B. PA-100-R1-M
Mesh strainers (25 – 800 µm)	SK-1-S-* (* = 25 – 800)
Evacuation balloon	VK-1-S
Bag positioner	EBH-EL-1
Magnetic insert	MG-1BAR/2BAR-2
Wall mounting brackets	BS-EL-1-S
Leg assembly	FG-EL/FL-1-S
Pressure gauge (10 bar) G ¼"	MM-1/4-S-1
Vent valve G ¼"	ELH-1/4-S
Gaskets available in	FPM, EPDM

as of: May 2017 (changes reserved)