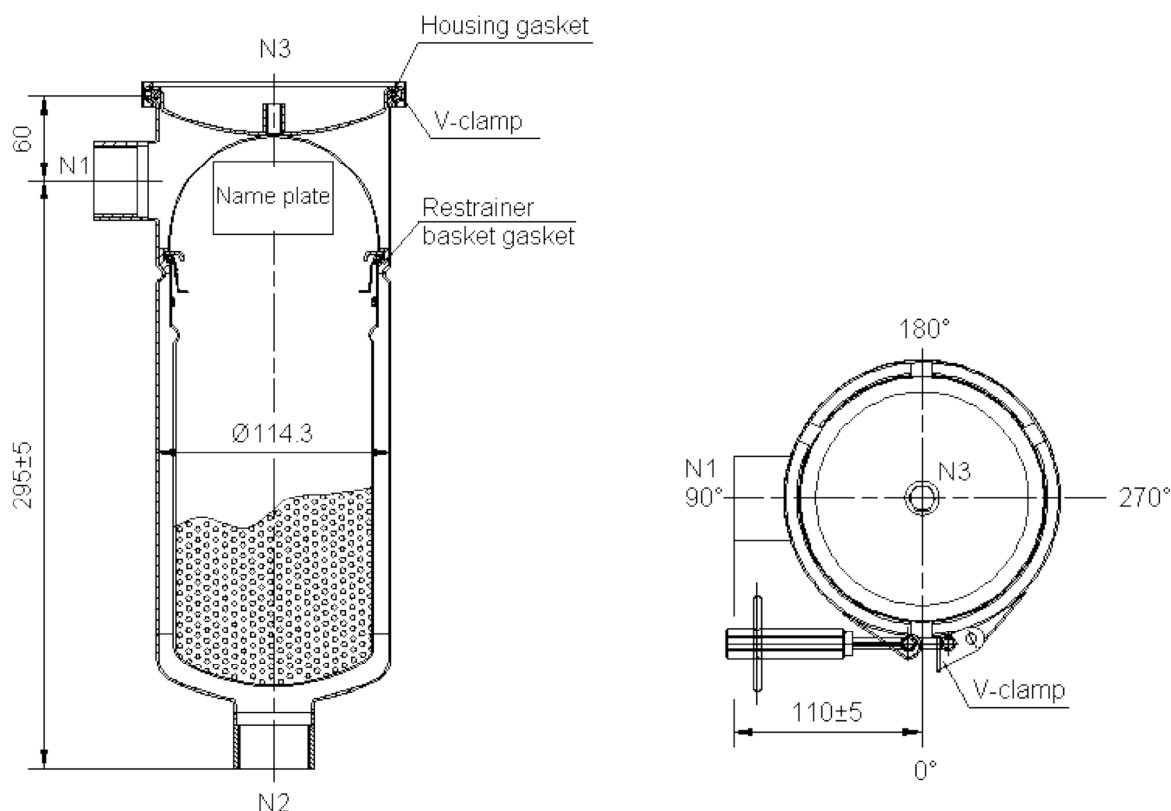


Data sheet

Bag filter EL-1-10-S-9-DN40-M



Spezifikation

Technical data

Technical data	EL-1-10-S-9-DN40-M
Max. flow	6m ³ /h (dep. on filter element / fluid)
Filter area	0,09 m ²
No. of restrainer baskets	1
Filter housing volume	ca. 3,0 Liter
Filter housing weight	ca. 3,5 kg
Installation height	ca. 66,0 cm
Installation space	ca. 25 x 25 cm
PED 97/23/EC classification	not applicable (Design according to works standard)



Material of construction

Housing	Stainless steel 1.4571
Restrainer basket	Stainless steel 1.4571
Closure (V-Clamp)	Stainless steel 1.4301
Gasket	NBR
Restrainer basket gasket	FPM

Design data

Max. allowable pressure	max. 6 bar
Max. allowable temperature	120 °C

Housing connections

N1/N2 (inlet/outlet)	G2" DIN 2986 / DIN ISO 228-1
N3 (lid hole)	G¼" DIN 2986 / DIN ISO 228-1 (with plug)

Packing

Dimensions (L x W x H)	72 x 25 x 25 cm
------------------------	-----------------

Spare parts

Restrainer basket	DK-10-S
Bag fixing ring	BR-10-S
NBR lid gasket	DI-DD-EL-10-NBR
FPM Restrainer basket gasket	DI-DU-EL-10-FPM
V-Clamp	VS-EL-10-S

Accessories (optional)

Ring-Filter bags	Size 10 - z. B. PA-100-R10-M
Mesh strainers (25 – 800 µm)	SK-10-S-* (* = 25 – 800)
Wall mounting brackets	BS-EL-10-S
Pressure gauge (10 bar) G ¼"	MM-1/4-S-1
Vent valve G ¼"	ELH-1/4-S
Gaskets available in	FPM, EPDM

as of: May 2017 (changes reserved)