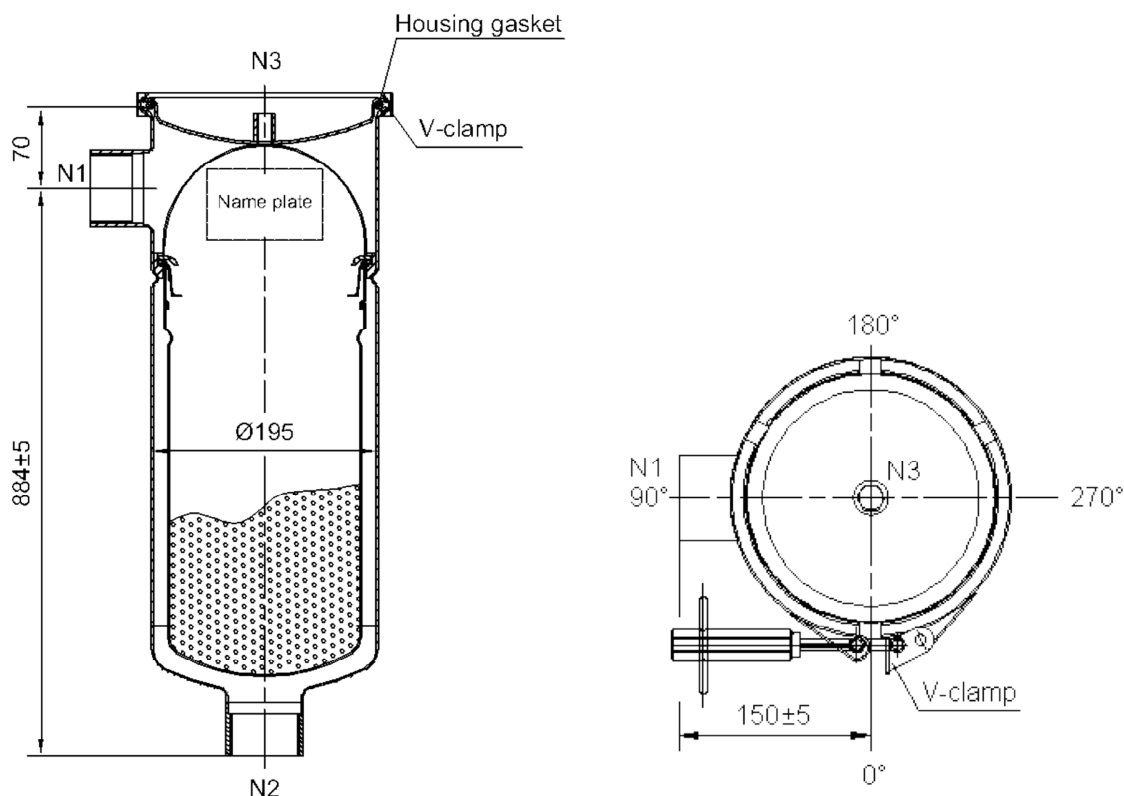


# Data sheet

## Bag filter EL-1-2-S-6-DN50-M



### Spezifikation

#### Technical data

Max. flow  
Filter area  
No. of restrainer baskets  
Filter housing volume  
Filter housing weight  
Installation height  
Installation space  
PED 97/23/EC classification

### EL-1-2-S-6-DN50-M

30 m<sup>3</sup>/h (dep. on filter element / fluid)  
0,50 m<sup>2</sup>  
1  
ca. 27,0 Liter  
ca. 11,0 kg  
ca. 180,5 cm  
ca. 50 x 50 cm  
not applicable (Design according to works standard)



#### Material of construction

Housing	Stainless steel1.4571
Restrainer basket	Stainless steel1.4571
Closure (V-Clamp)	Stainless steel1.4301
Gasket	NBR
Restrainer basket gasket	FPM

#### Design data

Max. allowable pressure	max. 6 bar
Max. allowable temperature	120 °C

#### Housing connections

N1/N2 (inlet/outlet)	G2" DIN 2986 / DIN ISO 228-1
N3 (lid hole)	G¼" DIN 2986 / DIN ISO 228-1 (with plug)

#### Packing

Dimensions (L x W x H)	76 x 36 x 30 cm
------------------------	-----------------

#### Spare parts

Restrainer basket	DK-2-S
Bag fixing ring	BR-1-S
NBR lid gasket	DI-DD-EL-1-NBR
FPM Restrainer basket gasket	DI-DU-EL-1-FPM
V-Clamp	VS-EL-1-S

#### Accessories (optional)

Ring-Filter bags	Size 2 - z. B. PA-100-R2-M
Mesh strainers (25 – 800 µm)	SK-2-S-* (* = 25 – 800)
Evacuation balloon	VK-2-S
Bag positioner	EBH-EL-1
Magnetic insert	MG-1BAR/2BAR-2
Wall mounting brackets	BS-EL-1-S
Leg assembly	FG-EL/FL-1-S
Pressure gauge (10 bar) G ¼"	MM-1/4-S-1
Vent valve G ¼"	ELH-1/4-S
Gaskets available in	FPM, EPDM

as of: May 2017 (changes reserved)