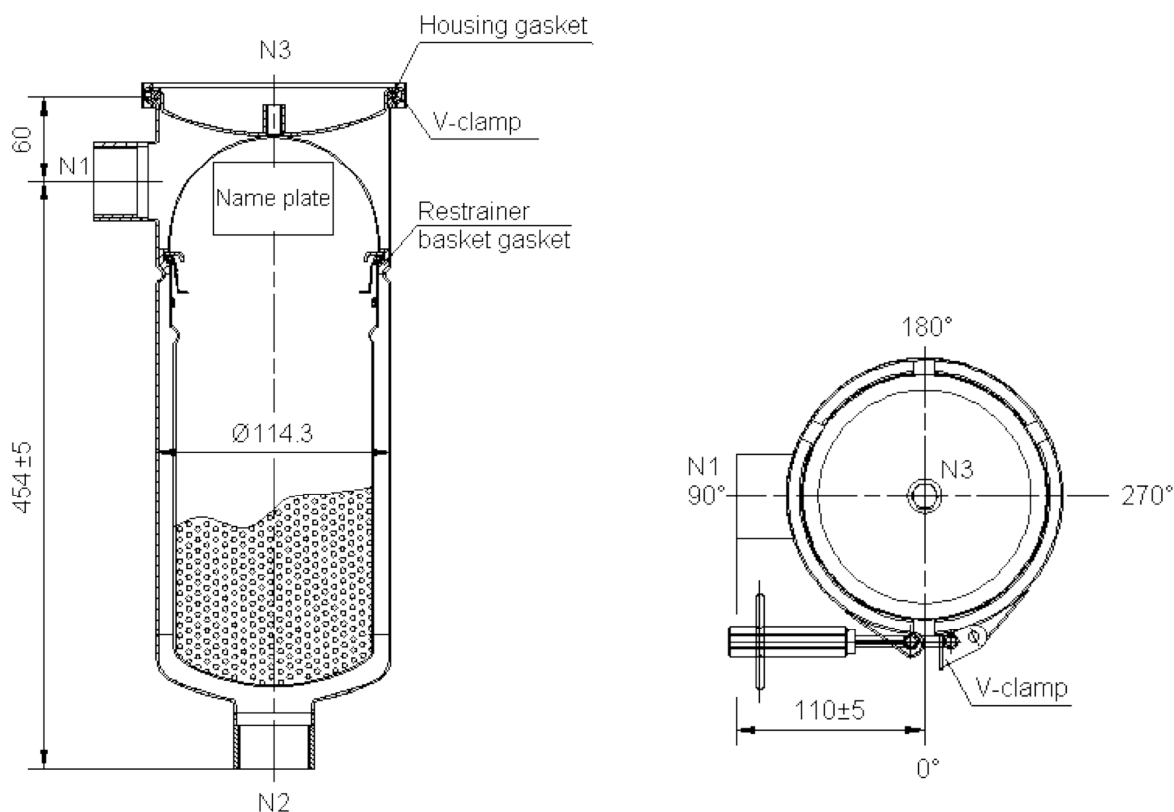


Data sheet

Bag filter EL-1-20-S-9-DN40-M



Spezifikation

Technical data

Max. flow
Filter area
No. of restrainer baskets
Filter housing volume
Filter housing weight
Installation height
Installation space
PED 97/23/EC classification

EL-1-20-S-9-DN40-M

12 m³/h (dep. on filter element / fluid)
0,16 m²
1
ca. 4,5 Liter
ca. 4,5 kg
ca. 97,0 cm
ca. 25 x 25 cm
not applicable (Design according to works standard)



Material of construction

Housing	Stainless steel 1.4571
Restrainer basket	Stainless steel 1.4571
Closure (V-Clamp)	Stainless steel 1.4301
Gasket	NBR
Restrainer basket gasket	FPM

Design data

Max. allowable pressure	max. 6 bar
Max. allowable temperature	120 °C

Housing connections

N1/N2 (inlet/outlet)	G2" DIN 2986 / DIN ISO 228-1
N3 (lid hole)	G¼" DIN 2986 / DIN ISO 228-1 (with plug)

Packing

Dimensions (L x W x H)	72 x 25 x 25 cm
------------------------	-----------------

Spare parts

Restrainer basket	DK-20-S
Bag fixing ring	BR-10-S
NBR lid gasket	DI-DD-EL-10-NBR
FPM Restrainer basket gasket	DI-DU-EL-10-FPM
V-Clamp	VS-EL-10-S

Accessories (optional)

Ring-Filter bags	Size 20 - z. B. PA-100-R20-M
Mesh strainers (25 – 800 µm)	SK-20-S-* (* = 25 – 800)
Wall mounting brackets	BS-EL-10-S
Pressure gauge (10 bar) G ¼"	MM-1/4-S-1
Vent valve G ¼"	ELH-1/4-S
Gaskets available in	FPM, EPDM

as of: May 2017 (changes reserved)