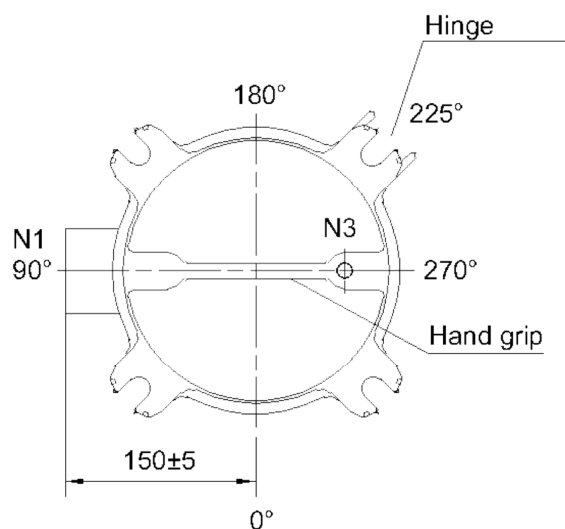
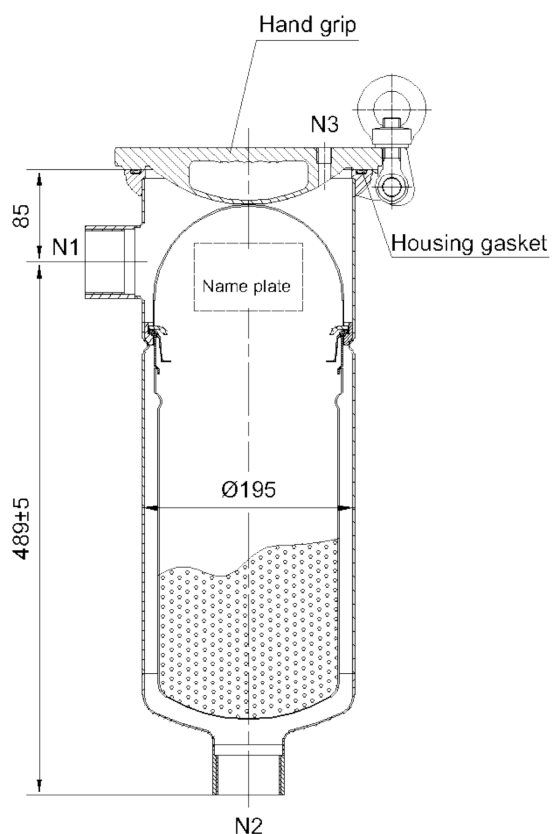


# Data sheet

## Bag filter FL-1-1-S-10-DN50-M



### Specification

#### Technical data

Max. flow rate  
Filter area  
No. of restrainer baskets  
Filter housing volume  
Filter housing weight  
Installation height  
Installation space  
PED 97/23/EC classification

### FL-1-1-S-10-DN50-M

20 m<sup>3</sup>/h (dep. on filter element / fluid)  
0,25 m<sup>2</sup>  
1  
ca. 15,5 Liter  
ca. 17,0 kg  
ca. 104,0 cm  
ca. 50 x 50 cm  
Art. 3 § 3 (Design code AD 2000-Merkblätter)



#### Material of construction

Lid, main flange, bottom	Stainless steel 1.4408
Other wetted parts	Stainless steel 1.4571
Restrainer basket	Stainless steel 1.4571
Closure (V-Clamp)	Carbon steel zinc plated
Other parts (non wetted)	Stainless steel 1.4301
Gasket	NBR
Restrainer basket gasket	FPM

#### Design data

Max. allowable pressure	max. 10 bar
Max. allowable temperature	120 °C

#### Housing connections

N1/N2 (inlet/outlet)	G 2" DIN 2986/ DIN ISO 228-1
N3 (lid hole)	G ¼" female thread DIN ISO 228-1 (without plug)

#### Packing

Dimensions (L x W x H)	790 x 36 x 30 cm
------------------------	------------------

#### Spare parts

Restrainer basket	DK-1-S
Bag fixing ring	BR-1-S
NBR lid gasket	DI-DD-FL-1-NBR
FPM Restrainer basket gasket	DI-DU-FL-1-FPM
Swing eye bolts	on request

#### Accessories (optional)

Ring-Filter bags	Size 1 - z. B. PA-100-R1-M
Mesh strainers (25 – 800 µm)	SK-1-S-* (* = 25 – 800)
Evacuation balloon	VK-1-S
Bag positioner	EBH-FL-1
Magnetic insert	MG-1BAR/2BAR-1
Wall mounting bracket	BS-FL-1-S
Leg assembly	FG-EL/FL-1
Pressure gauge (10 bar) G ¼"	MM-1/4-S-1
Vent valve G ¼"	ELH-1/4-S
Pipe enlarging module DN50/DN65	on request
Gaskets available in	FPM, EPDM

as of: May 2017 (changes reserved)