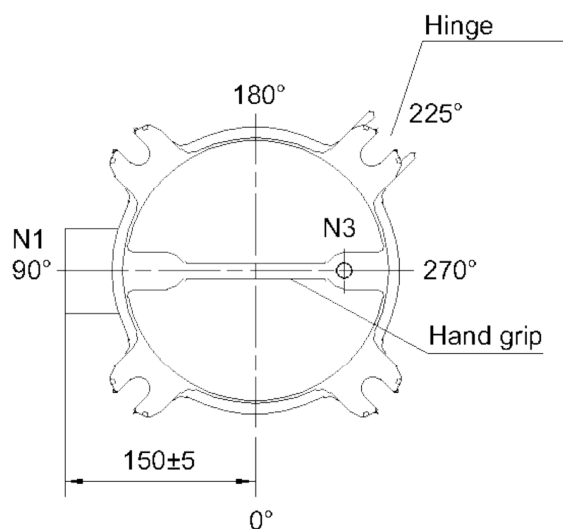
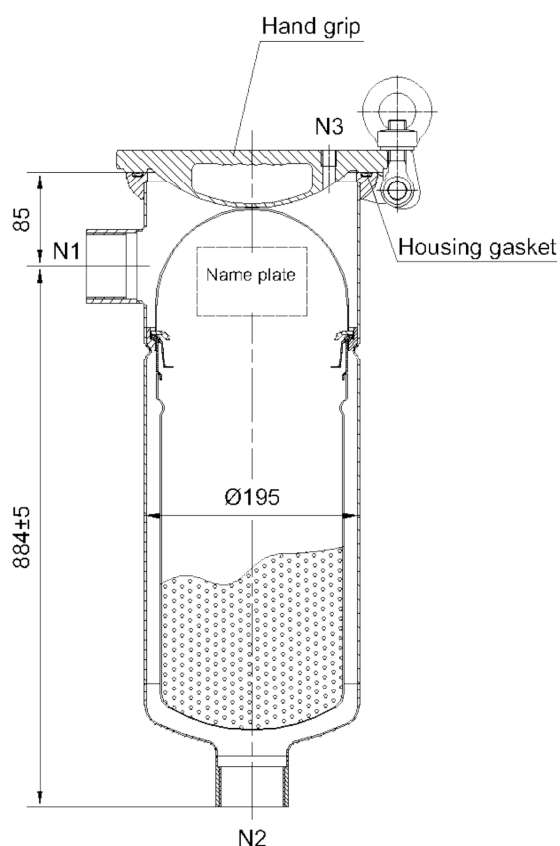


Data sheet

Bag filter FL-1-2-S-10-DN50-M



Specification

Technical data

Max. flow rate
Filter area
No. of restrainer baskets
Filter housing volume
Filter housing weight
Installation height
Installation space
PED 97/23/EC classification

FL-1-2-S-10-DN50-M

40 m³/h (dep. on filter element / fluid)
0,50 m²
1
ca. 27,0 Liter
ca. 23,0 kg
ca. 182,0 cm
ca. 50 x 50 cm
Art. 3 § 3 (Design code AD 2000-Merkblätter)



Material of construction

Lid, main flange, bottom	Stainless steel 1.4408
Other wetted parts	Stainless steel 1.4571
Restrainer basket	Stainless steel 1.4571
Closure (V-Clamp)	Carbon steel zinc plated
Other parts (non wetted)	Stainless steel 1.4301
Gasket	NBR
Restrainer basket gasket	FPM

Design data

Max. allowable pressure	max. 10 bar
Max. allowable temperature	120 °C

Housing connections

N1/N2 (inlet/outlet)	G 2" DIN 2986/ DIN ISO 228-1
N3 (lid hole)	G ¼" female thread DIN ISO 228-1 (without plug)

Packing

Dimensions (L x W x H)	1190 x 36 x 30 cm
------------------------	-------------------

Spare parts

Restrainer basket	DK-2-S
Bag fixing ring	BR-2-S
NBR lid gasket	DI-DD-FL-1-NBR
FPM Restrainer basket gasket	DI-DU-FL-1-FPM
Swing eye bolts	on request

Accessories (optional)

Ring-Filter bags	Size 2 - z. B. PA-100-R2-M
Mesh strainers (25 – 800 µm)	SK-2-S-* (* = 25 – 800)
Evacuation balloon	VK-2-S
Bag positioner	EBH-FL-1
Magnetic insert	MG-1BAR/2BAR-1
Wall mounting bracket	BS-FL-1-S
Leg assembly	FG-EL/FL-1
Pressure gauge (10 bar) G ¼"	MM-1/4-S-1
Vent valve G ¼"	ELH-1/4-S
Pipe enlarging module DN50/DN65	on request
Gaskets available in	FPM, EPDM

as of: May 2017 (changes reserved)